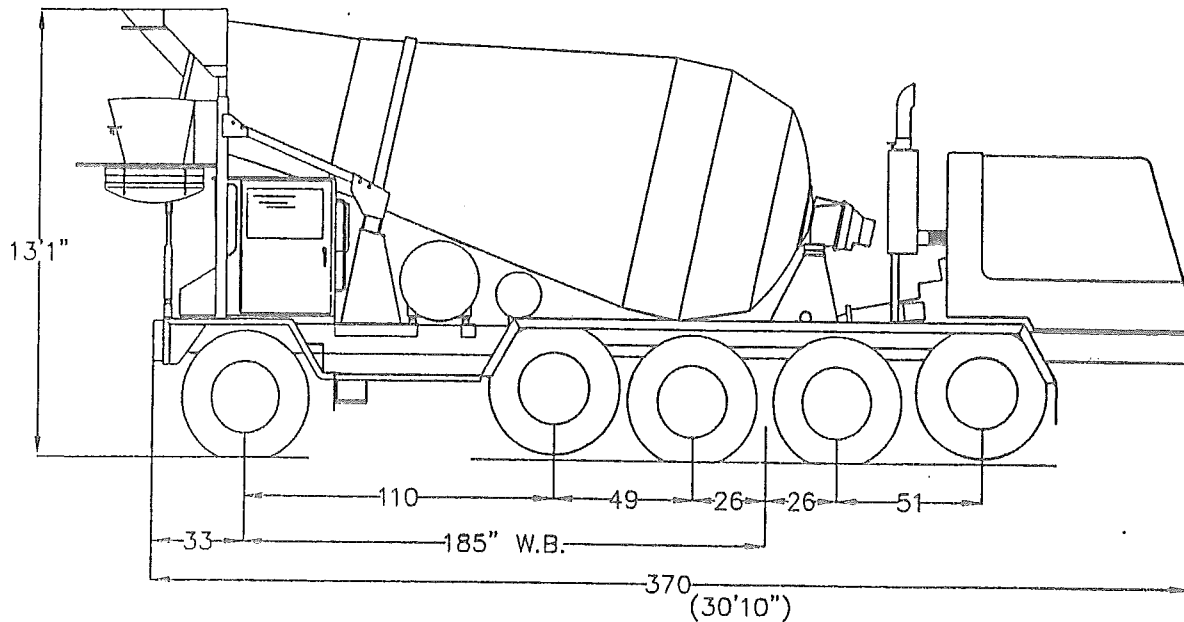
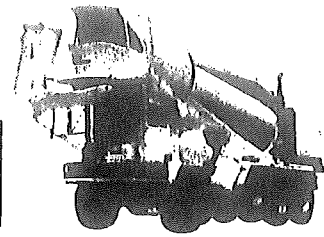


ADVANCE



GREAT LAKES 5-AXLE MIXER TRUCK MODEL 61010.5-185

* WEIGHTS INCLUDE ALUMINUM OPTIONS WITH ALUMINUM DISC WHEELS ON DRIVING AXLES

LEGAL GVWR for 5-AXLES	70000 LBS
* EMPTY WEIGHT	32500
LEGAL CONCRETE LOAD	37500 LBS

CHASSIS AND MIXER	31220 LBS	MIXER SIZE 10.5 CU.YDS
WATER 120 GALLONS	960	DRUM OPENING 44" DIA.
FUEL 50 GALLONS	320	
* EMPTY WEIGHT	32500 LBS	

<u>AXLE WEIGHTS WITH LOADS SHOWN:</u>		<u>LENGTH AXLE TO AXLE</u>
FRONT DRIVING AXLE	18000 LBS	1 to 2 -- 110"
PUSHER AXLE	13000	2 to 3 -- 49"
DUAL DRIVING TANDEM	26000	3 to 4 -- 52"
TAG AXLE	13000	4 to 5 -- 51"
TOTAL WEIGHT	70000 LBS	1 to 5 -- 262" (21'10")

<u>TIRE SIZE</u>		<u>GROUND CLEARANCE</u>
FRONT & TANDEM AXLES	445/65R22.5	PUSHER & TAG 4-6"
PUSHER & TAG AXLES	11R22.5 (G)	

2/96